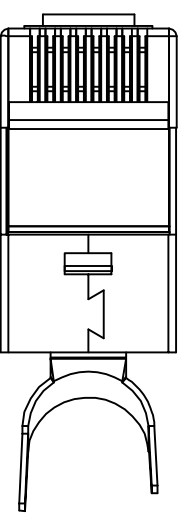
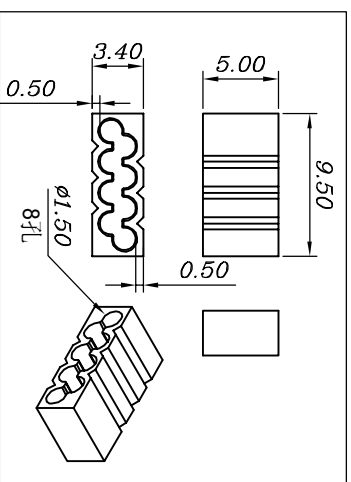
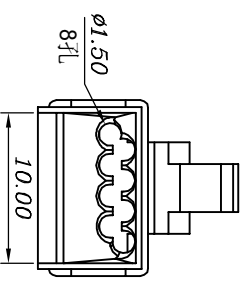
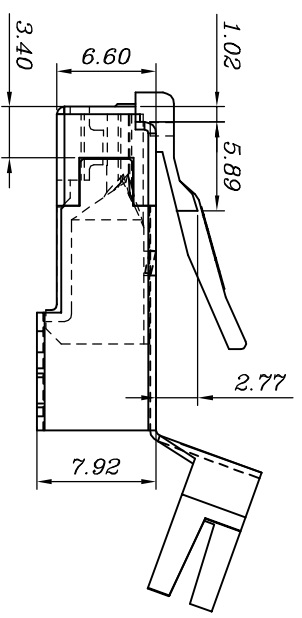
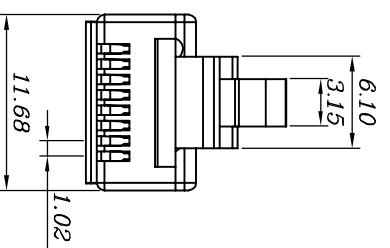
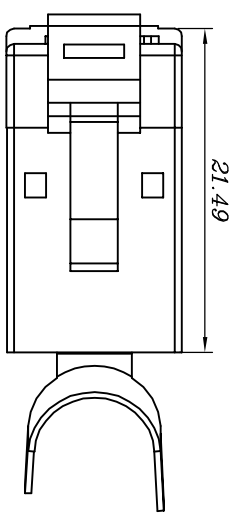




环保

更改 REV	日期 DATE	变更内容 MODIFICATION	修改 DRAWN
	03/02/09		



客户用产品图

ITEM: P88R5Z50V2S1T-3Y

BLADE:	E	Y	Z	A	YL	ZL
Drawing						
Mark						
GOLD PLATING	3Mu"	3u"	6u"	15u"	30u"	50u"
Mark					CABLE TYPE Mark	ROUND FLAT

EXW 宁波卓新通讯插件有限公司
NINGBO EXCELLENCE COMMUNICATED CONNECTOR CO.,LTD

材料: PC 图号: PLUG-154A

名称: 3Y长身双排屏蔽(线孔1.5)

比例: 2/1 张数: 1/1

审核: 沈红波 校对: 钟均江 制图: LiJing

角法: 更改 A

SPECIFICATIONS
1. ELECTRICAL:
UL APPLICATIONS: 250 VOLTS AC MAX., AT 2 AMPS.
DIELECTRIC WITHSTANDING VOLTAGE: 500 VOLTS AC.
INSULATION RESISTANCE: 100 MΩ.
TERMINATION: RESISTANCE 20mΩ MAX AFTER ENVIRONMENTAL TESTING.

2. MECHANICAL:
CABLE-TO-PLUG TENSILE STRENGTH: 20POUND MIN.
DURABILITY: 200 MATING CYCLES.

3. MATERIAL & FINISH:
HOUSING: POLYCARBONATE, U194V-0 OR U194V-2.
COLOR: TRANSPARENT OR OTHER COLOR ARE AVAILABLE.
CONTACT BLADE: COPPER ALLOY.
CONDUCTOR: STRANDED & SOLID WIRE, 24AWG, 26 AWG.
GOLD PLATING: 3u"-50u" ARE AVAILABLE.

A 1 2 3 4 5 6 7

D C B A

6 ST-DR-009A